

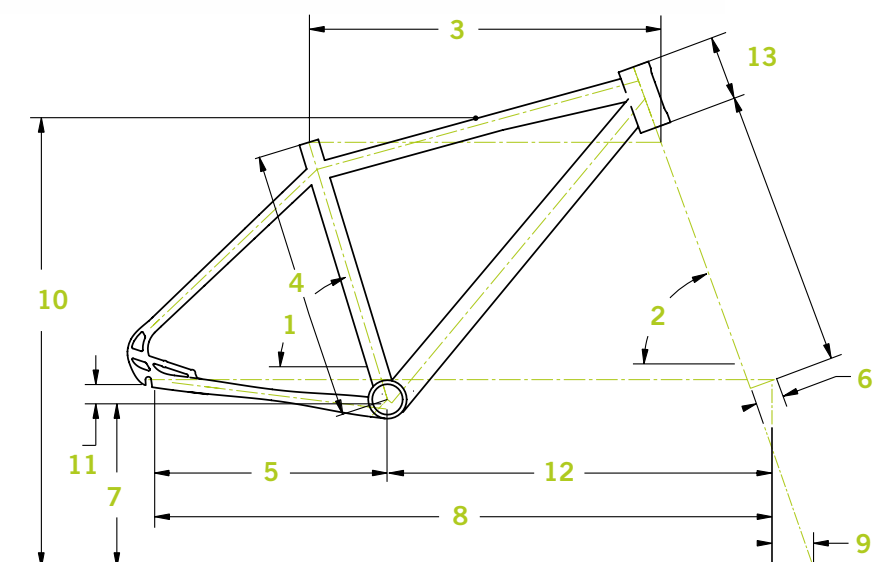


OBRD7_BBQ

BAD BOY 700

FRAME	▽	Bad Boy Stealth SI
FORK	↑	Cannondale Fatty SI disc
RIMS	○	Cannondale C2 black
HUBS	↔	Shimano Deore/Shimano Deore
SPOKES/NIPPLES	✱	DT Swiss black/black
TIRES	⋯	Schwalbe Kojak Bad Boy Edition 622 x 28
PEDALS	⊞	Octopus
CRANK	⊕	Truvative Firex
CHAIN	○	KMC X9 black nano finish
BOTTOM BRACKET	⊖	MegaExo
REAR COGS	▸	CSM 96 black polish - 11-32
F. DERAILLEUR	↘	Shimano FD-440
R. DERAILLEUR	↙	Shimano SLX
SHIFTERS	⊕	Shimano SL-R440
HANDLEBAR	└	Cannondale Urban flat black 31.8
STEM	⊥	Cannondale C3 black
HEADSET	⊗	Cane Creek black/black chrome
BRAKES	⊗	Auriga Sub - black rotors
BRAKE LEVERS	↘	Auriga Sub black
GRIPS	└	Cannondale "Cityscape" black chrome rings
SADDLE	∇	Fizik Pave incl. ICS black
SEATPOST/CLAMP	└	Cannondale C3/Gorilla Park black chrome
LIGHTS	⊗	ICS Bad Boy Edition
SIZES	⊞	S,M,L,X
COLORS	⊖	jet black/black reflective decals

BAD BOY



	BAD BOY				BAD BOY HEADSHOK			
SPECIFICATIONS	S	M	L	X	S	M	L	X
1 Seat Tube Angle	74.5°	73.5°	73°	72.5°	74.5°	73.5°	73°	72.5°
2 Head Tube Angle	70°	71°	71°	71°	70°	71°	71°	71°
3 Horizontal Top Tube Length (cm/in)	52.1/20.5	54.6/21.5	57.3/22.5	59.7/23.5	55/21.7	57.5/22.6	60/23.6	62/24.4
4 Seat Tube Length (cm/in)	39/15.4	46/18.1	51/20.1	56/22.0	39/15.4	46/18.1	51/20.1	56/22.0
5 Chainstay Length (cm)	43.5	43.5	43.5	43.5	43.5	43.5	43.5	43.5
6 Fork Rake (cm)	4.5	4.5	4.5	4.5	4.5	4.5	4.5	4.5
7 Bottom Bracket Height (cm)	29.5	29.5	29.5	29.5	29.5	29.5	29.5	29.5
8 Wheelbase (cm)	104.4	105.8	108.1	109.8	104.4	105.8	108.1	109.8
9 Fork Trail (cm)	7.8	7.2	7.2	7.2	7.8	7.2	7.2	7.2
10 Standover Height (cm)	73.9	78.2	81.4	84.5	77	80.4	82.6	84.7
11 Bottom Bracket Drop (cm)	5.1	5.1	5.1	5.1	5.1	5.1	5.1	5.1
12 Front Center (cm)	61.4	62.8	65.1	66.8	61.4	62.8	65.1	66.8
13 Head Tube Length (cm)	13	15	17	19	11.4	11.4	11.4	11.4

GEOMETRY

		BAD BOY RIGID 26"				BAD BOY HEADSHOK 26"			
SPECIFICATIONS		S	M	L	X	S	M	L	X
1	Seat Tube Angle	74.5°	73.5°	73°	72.5°	74.5°	73.5°	73°	72.5°
2	Head Tube Angle	70°	71°	71°	71°	70°	71°	71°	71°
3	Horizontal Top Tube Length (cm/in)	55/21.7	57.5/22.6	60/23.6	62/24.4	55/21.7	57.5/22.6	60/23.6	62/24.4
4	Seat Tube Length (cm/in)	39/15.4	46/18.1	51/20.1	56/22.0	39/15.4	46/18.1	51/20.1	56/22.0
5	Chainstay Length (cm)	43.5	43.5	43.5	43.5	43.5	43.5	43.5	43.5
6	Fork Rake (cm)	4.5	4.5	4.5	4.5	4.5	4.5	4.5	4.5
7	Bottom Bracket Height (cm)	28.0	28.0	28.0	28.0	28.0	28.0	28.0	28.0
8	Wheelbase (cm)	104.4	105.8	108.1	109.8	104.4	105.8	108.1	109.8
9	Fork Trail (cm)	7.4	6.8	6.8	6.8	7.4	6.8	6.8	6.8
10	Standover Height (cm)	72.4	76.7	80.0	83.0	75.5	78.9	81.1	83.2
11	Bottom Bracket Drop (cm)	5.1	5.1	5.1	5.1	5.1	5.1	5.1	5.1
12	Front Center (cm)	61.4	62.8	65.1	66.8	61.4	62.8	65.1	66.8
13	Head Tube Length (cm)	13	15	17	19	11.4	11.4	11.4	11.4

		ROHLOFF HEADSHOK 700C			
SPECIFICATIONS		S	M	L	X
1	Seat Tube Angle	74.5°	73.5°	73°	72.5°
2	Head Tube Angle	70°	70°	70°	70°
3	Horizontal Top Tube Length (cm/in)	55.5/21.9	59.0/23.2	61.0/24.0	61.5/24.2
4	Seat Tube Length (cm/in)	39.0/15.4	44.0/17.3	49.0/19.3	53/20.9
5	Chainstay Length (cm)	42.4	42.4	42.4	42.4
6	Fork Rake (cm)	3.5	3.5	3.5	3.5
7	Bottom Bracket Height (cm)	31.0	31.0	31.0	31.0
8	Wheelbase (cm)	104.4	107.6	109.5	109.7
9	Fork Trail (cm)	7.8	7.2	7.2	7.2
10	Standover Height (cm)	76.5	79.0	81.0	83.0
11	Bottom Bracket Drop (cm)	3.5	3.5	3.5	3.5
12	Front Center (cm)	62.2	65.5	67.3	67.6
13	Head Tube Length (cm)	11.4	11.4	11.4	11.4